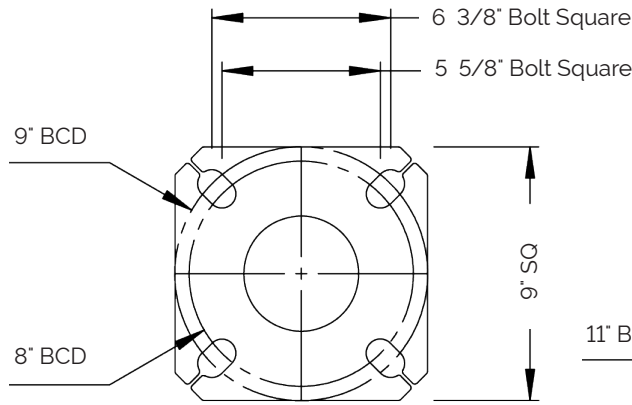
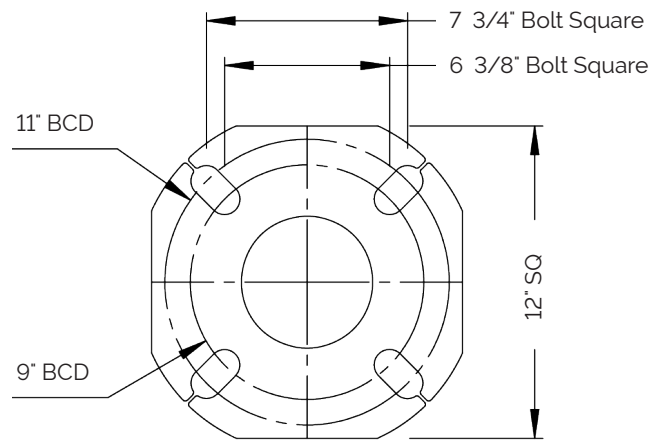




Round Straight Steel Pole



RSS Type A
(3/4" x 24" Anchor Bolts)



RSS Type B
(1" x 36" Anchor Bolts)



- If supplied, the festoon box is installed at 5m height. Notify Métal Pole Lite if different mounting height is required.
- Hand hole ring mounting height is 12" to centre and comes with hand hole cover. (3"x5" cover for 4" pole, 4"x7" cover for 5" pole).
- Wind speeds (mph) in the table denote the maximum wind gust speed at the project site (i.e. gust factor included).
- Maximum EPA rating includes fixture(s) and supporting arm(s) and is for standard pole installation on concrete bases/footings.
- All poles are supplied with nut covers, shims and top plastic cap.
- Pole designs based on AASHTO Standard Specifications for Structural Supports for Highway Signs, Luminaires, and Traffic Signals.
- Contact Sales Team for custom sizes and/or applications.
- Specific information and details may be subject to change without notice.
- Please see Warranty and Terms & Conditions.



Round Straight Steel Pole

CATALOGUE #		FIXTURE INFO
PROJECT NAME		
CITY		
PREPARED BY	DATE	
COMMENTS		
		QUANTITY
		EPA (sq.ft.)
		WEIGHT (lbs)

Catalogue #	Pole Height (ft)	Weight (lbs)	Pole Type	Anchor Bolt Diameter	Base Plate	Maximum EPA (sq.ft.)			
						80MPH	90MPH	100MPH	110MPH
RSS10-4LD	10	67	LD	3/4" x 24"	A	18.0	14.0	11.0	9.0
RSS12-4LD	12	77	LD	3/4" x 24"	A	15.0	11.5	9.0	7.0
RSS12-5LD	12	110	LD	1" x 36"	B	24.0	18.5	15.0	12.5
RSS16-4LD	16	98	LD	3/4" x 24"	A	10.0	7.5	5.5	4.5
RSS16-5LD	16	137	LD	1" x 36"	B	17.0	13.0	10.5	8.5
RSS16-5MD	16	187	MD	1" x 36"	B	26.0	20.0	16.0	13.5
RSS18-4LD	18	109	LD	3/4" x 24"	A	8.5	6.0	4.5	3.5
RSS20-4LD	20	119	LD	3/4" x 24"	A	7.0	5.0	3.5	2.5
RSS20-4MD	20	168	MD	3/4" x 24"	A	11.5	8.5	6.5	5.0
RSS20-5LD	20	163	LD	1" x 36"	B	12.0	8.5	7.0	5.5
RSS20-5MD	20	226	MD	1" x 36"	B	19.0	14.5	11.5	9.5
RSS20-5HD	20	286	HD	1" x 36"	B	25.5	19.5	15.5	13.0
RSS24-4MD	24	199	MD	3/4" x 24"	A	8.0	5.5	4.0	2.8
RSS24-5MD	24	264	MD	1" x 36"	B	14.0	10.0	8.0	6.5
RSS24-5HD	24	337	HD	1" x 36"	B	19.5	14.5	11.5	9.5
RSS30-5MD	30	322	MD	1" x 36"	B	8.5	5.5	4.0	3.0
RSS30-5HD	30	413	HD	1" x 36"	B	12.5	9.0	7.0	5.5

Order Entry Info				
POLE SPECS	MOUNTING TYPE (See Note 1)	FINISH TYPE	PC COLOUR	OPTIONS
10' - 4" (LD)	TOP TENON MOUNT TT2 - 2 3/8" x 4" tenon TT3 - 2 7/8" x 4" tenon	PC - Powder Coated GALV - Galvanized GALVPC - Galvanized and Powder Coated <i>For PC or GALVPC, please select Colour from next column</i>	WHT - White BLK - Black BZ - Bronze GRY - Grey CC - Custom Colour (RAL-) <i>(Additional charges may apply)</i> N - None	<input type="checkbox"/> DUPR - 1110 Box Provision (Festoon Box) <input type="checkbox"/> DUPRGFI - 1110 Box Provision c/w 15A 120V GFI Receptacle and Weatherproof Cover <input type="checkbox"/> BCP - Type 4 Plastic Base Cover <input type="checkbox"/> BCCS - Type 4 Cast Square Base Cover <input type="checkbox"/> HHSS - Hand Hole Security System <input type="checkbox"/> FBA1 - Flower Basket Arm One Side (See Note 2) <input type="checkbox"/> FBA2 - Flower Basket Arm Dual (See Note 2) <input type="checkbox"/> BA1 - Banner Arms One Side (See Note 3) <input type="checkbox"/> BA2 - Banner Arms Dual (See Note 3) <input type="checkbox"/> AB - Anchor Bolts <input type="checkbox"/> BH - Bullhorns <input type="checkbox"/> N - None
12' - 4" (LD)				
12' - 5" (LD)				
16' - 4" (LD)	SIDE TENON MOUNT <i>Dimensions: 2 3/8" dia. x 5" long</i> ST1 - Single Head ST2 - 2 Heads at 90° ST2B - 2 Heads at 180° ST3 - 3 Heads at 90° ST4 - 4 Heads at 90°			
16' - 5" (LD)				
16' - 5" (MD)				
18' - 4" (LD)	DRILL PATTERN DP1 - Single Head DP2 - 2 Heads at 90° DP2B - 2 Heads at 180° DP3 - 3 Heads at 90° DP4 - 4 Heads at 90°			
20' - 4" (LD)				
20' - 4" (MD)				
20' - 5" (LD)	N - None			
20' - 5" (MD)				
20' - 5" (HD)				
24' - 4" (MD)				
24' - 5" (MD)				
24' - 5" (HD)				
30' - 5" (MD)				
30' - 5" (HD)				
Pole Specs	Mounting	Finish Type	PC Colour	Options
RSS				

Pole Type: LD = 0.125", MD = 0.188", HD = 0.250"

Sample Catalogue #: RSS20-5MD-ST1-GALVPC-BLK-HHSS-BA1

Note 1: Please provide fixture cutsheet.

Note 2: Please provide basket weight, arm length and mounting height.

Note 3: Please provide banner size and mounting height.

Reset Order Entry Form